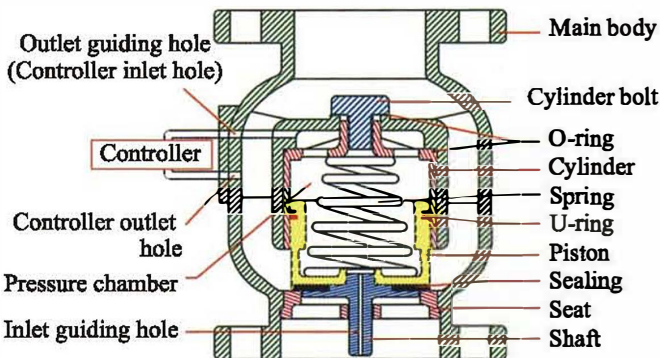




MULTI-FUNCTION AUTO-CONTROL VALVE

- ▶ Controller is fixed directly and designed of non-controller conduit. It reduces the damage of the controller conduit while transporting the equipment.
- ▶ Controller is designed to be quickly screw fastened, enabling fast and easy installation.
- ▶ The valve body can match with all types of controller without technical conversion, and all kinds of control valves can be formed.
- ▶ Cylinder design is adopted for the valve body structure, making the valve applicable to low and high pressure in both vertical and horizontal positions.
- ▶ Straight flow path is designed inside valve body. The large flow can reduce the malfunctions caused by impure water and effectively decrease turbulence and related bad effects.
- ▶ The valve body is shaped and formed as whole. Small volume, lightweight, and easy installation. Simple and elegant appearance.
- ▶ Professional manufacturers, best quality, and reasonable price.



▶ Patent Number : 135517

Part Name	Materials				
	Cast Iron	Ductile Iron	Bronze	SS 304	SS 316
Main body	Cast Iron	Ductile Iron	Bronze	SS 304	SS 316
Cylinder bolt	Cast Iron	Ductile Iron	Brass	SS 304	SS 304
O-ring	NBR	NBR	NBR	NBR	NBR / Viton
Cylinder	Bronze	Bronze	Bronze	SS 304	SS 316
Spring	SS 304	SS 304	SS 304	SS 304	SS 304
U-ring	NBR	NBR	NBR	NBR	NBR / Viton
Piston	Bronze	Bronze	Bronze	SS 304	SS 316
Sealing	NBR	NBR	NBR	NBR	NBR / Viton
Seat	Bronze	Bronze	Bronze	SS 304	SS 316
Shaft	Bronze	Bronze	Bronze	SS 304	SS 316
Controller	Brass	Brass	Brass	SS 304	SS 304

1. Applied conditions: Fluid & Air

2. Applied temperature: -15° ~ 80°C

3. Connection ends: Available for all international standards

4. Materials of valve body: Cast Iron, Ductile Iron, Bronze & Stainless Steel

The valve body of main valve becomes functional by an inlet-guiding hole. This hole transfers pressure to pressure chamber. When enough pressure accumulates in the pressure chamber, it generates pushing force that makes the piston close to valve seat and generates the closing motion. There is another outlet guiding hole inside the pressure chamber. When the hole is open, pressure in pressure chamber dissipates and valve gate is pushed open by incoming water pressure.

● Stock Items

Size	Flange End			
	Cast Iron	Ductile Iron	Bronze	Stainless Steel
2"	●	●	●	●
2.5"	●	●	●	●
3"	●	●	●	●
4"	●	●	●	●
5"	●	●	●	●
6"	●	●	●	●
8"	●	●	●	●
10"	●	●	●	●
12"	●	●	●	●
14"		●	●	●

(1 kgf/cm² = 14.2 psi)

Working Pressure		Test Pressure	
Cast Iron	: 12 kgf/cm ²	Cast Iron	: 21 kgf/cm ²
Ductile Iron	: 20 kgf/cm ²	Ductile Iron	: 30 kgf/cm ²
Bronze	: 12 kgf/cm ²	Bronze	: 21 kgf/cm ²
Stainless Steel	: 25 kgf/cm ²	Stainless Steel	: 38 kgf/cm ²

● Stock Items

Size	Thread End		
	Cast Iron	Bronze	Stainless Steel
1.5"		●	●
2"	●	●	

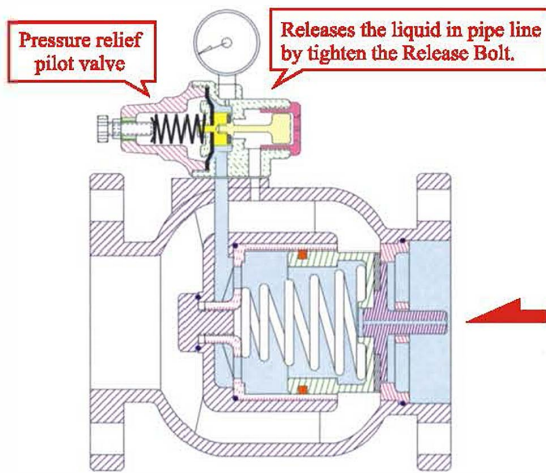
◎Production Size: 1.5"~ 56"



PRESSURE RELIEF VALVE



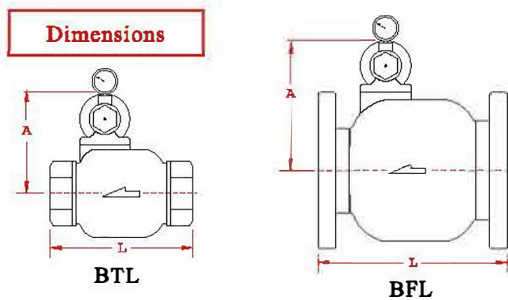
- ▶ Pressure relief valve is installed on the outlet pipe of water supply pipeline. It can maintain safe water supply pressure inside the pipe and prevent pipeline and equipment damage caused by accidental escalation of water pressure.
- ▶ When water pump stops functioning or pipeline gate suddenly closes, abnormal pressure forms inside the pipe. As the pressure gets over a certain safety limit, pressure relief valve can open automatically and releases the water pressure above the safety limit, so as to ensure the safety of pipeline and equipment. When the pressure turns back within the safety limit, the pressure relief will close slowly.



- ▶ Pressure Adjusting Range : 0.3 ~4kgf/cm²
(1 kgf/cm² = 14.2 psi) 2 ~ 8 kgf/cm²
5 ~ 13 kgf/cm²

- ▶ The working pressure should be greater than 0.3 kgf/cm² and gate fully open with 1.5 kgf/cm², please check the pressure before installation.

©Special order can be arranged for higher pressure adjustment range.



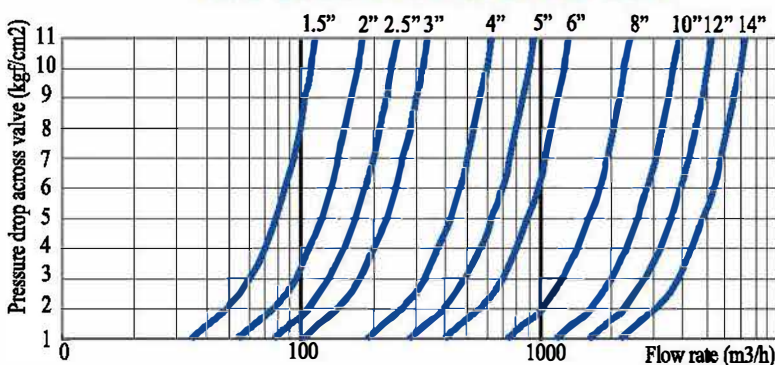
(Thread end)

Item No	Size	L(mm)	A(mm)	Weight(kg)	CV
BTL-40	1.5"	120	110	3	48
BTL-50	2"	200	125	9	75

(Flange end)

Item No	Size	L(mm)	A(mm)	Weight(kg)	CV
BFL-50	2"	190	130	12	75
BFL-65	2.5"	212	140	14	105
BFL-80	3"	225	155	19	140
BFL-100	4"	250	165	26	260
BFL-125	5"	284	180	37	390
BFL-150	6"	310	215	50	550
BFL-200	8"	420	235	94	1000
BFL-250	10"	470	280	152	1600
BFL-300	12"	535	310	202	2200
BFL-350	14"	600	350	285	3000

Flow Chart of Pressure Relief Valve



©Production Size: 1.5" ~ 56"